

# 5" SCALE SUBMARINE THERMOMETERS MODEL 140

## STANDARD FEATURES

- 5" scale size
- V-shaped aluminum scale with black figures
- Lens front, red liquid filled tube for 2" stem
- Lens front, blue liquid filled tube for 4" stem
- Gray ABS case
- Glass face (window) to exclude dirt and dust
- Available with:
  - 2" nominal stem length for 3 1/4" OA thermowell
  - 4" nominal stem length for 5 1/4" OA thermowell

## CATALOG NUMBERS

SCALE SIZE	STEM LENGTHS	
5"	2"	4"
STRAIGHT	140GS	140KS

## STANDARD TEMPERATURE RANGES

CODE	DUAL SCALE (both °F and °C)
DA	-40 / 110°F (2° Div.) and -40 / 40C (2° Div.)
DF	20 / 180°F (2° Div.) and -6 / 82C (1° Div.)
DH	30 / 240°F (2° Div.) and 0 / 114C (2° Div.)
DK	50 / 400°F (5° Div.) and 10 / 200C (2° Div.)

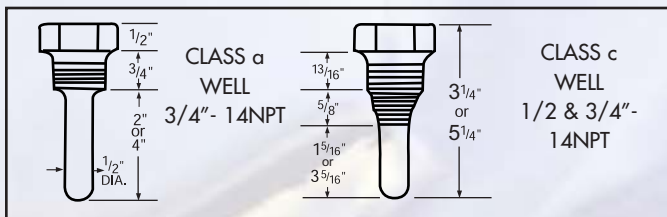
## THERMOWELLS

WELL CLASS	STEM LENGTH	WELL LENGTH	CATALOG NUMBER	
			BRASS	304 ST ST
a	2"	3 1/4"	*	W3G1
	4"	5 1/4"		W5G1
c	2"	3 1/4"	W3B3	W3G3
	4"	5 1/4"	W5B3	W5G3

\*Brass wells only available in Class C

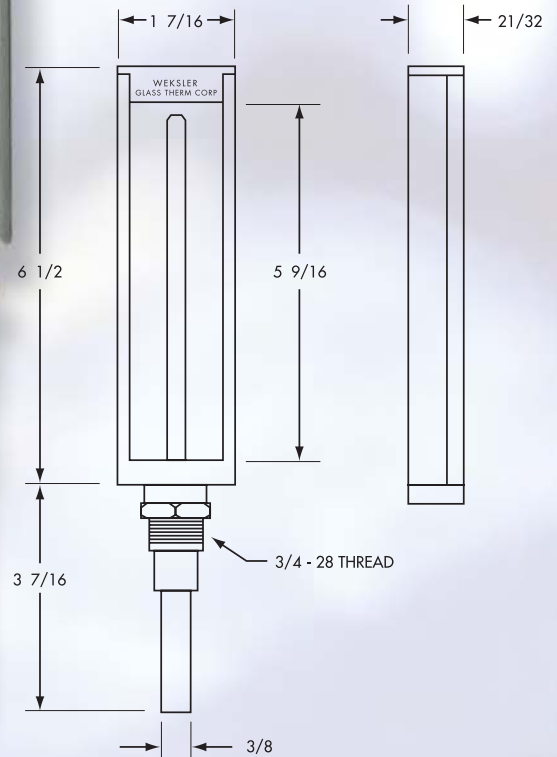
## THERMOWELL DIMENSIONS

3/4"-28" Female Thread (Internal)



◀ **CAT. NO. 140GS**

*Back angle form available. See page 7.*



## HOW TO ORDER - PLEASE SPECIFY THE FOLLOWING:

MODEL #	STEM LENGTH	RANGE
140	GS = 2" stem KS = 4" stem	2 digit code from table

# 5" SCALE SUBMARINE THERMOMETERS MODEL 141

## STANDARD FEATURES

- 5" scale size
- V-shaped aluminum scale with black figures
- Lens front, red liquid filled tube for 2" stem
- Lens front, blue liquid filled tube for 4" stem
- Gray ABS case
- Glass face (window) to exclude dirt and dust
- Available with:
  - 2" nominal stem length for 3 1/4" OA thermowell
  - 4" nominal stem length for 5 1/4" OA thermowell

## CATALOG NUMBERS

SCALE SIZE	STEM LENGTHS	
5"	2"	4"
90° BACK ANGLE	141GS	141KS

## STANDARD TEMPERATURE RANGES

CODE	DUAL SCALE (both °F and °C)
DA	-40 / 110°F (2° Div.) and -40 / 40C (2° Div.)
DF	20 / 180°F (2° Div.) and -6 / 82C (1° Div.)
DH	30 / 240°F (2° Div.) and 0 / 114C (2° Div.)
DK	50 / 400°F (5° Div.) and 10 / 200C (2° Div.)

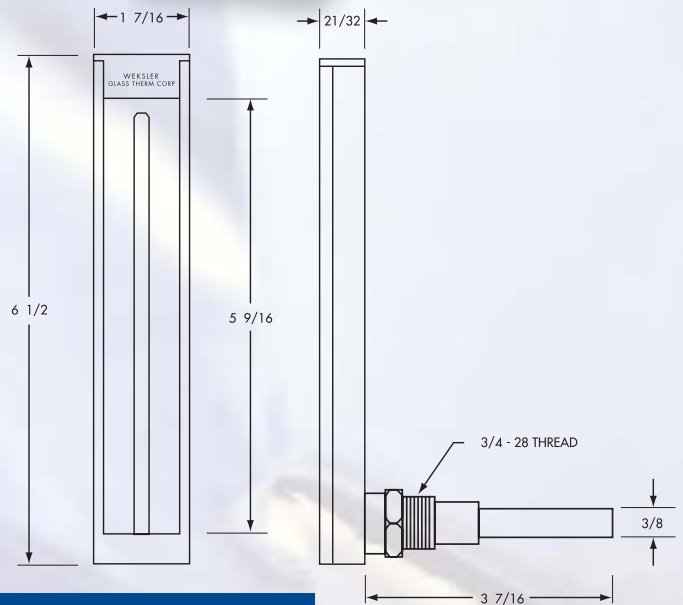
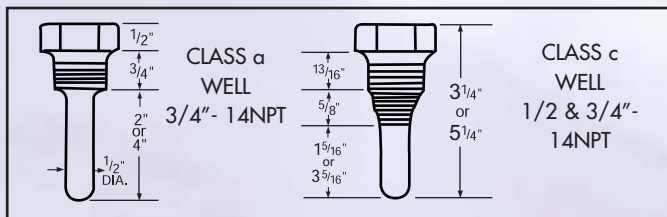
## THERMOWELLS

WELL CLASS	STEM LENGTH	WELL LENGTH	CATALOG NUMBER	
			BRASS	304 ST ST
a	2"	3 1/4"	*	W3G1
	4"	5 1/4"		W5G1
c	2"	3 1/4"	W3B3	W3G3
	4"	5 1/4"	W5B3	W5G3

\*Brass wells only available in Class C

## THERMOWELL DIMENSIONS

3/4-28" Female Thread (Internal)



◀ **CAT. NO. 141GS**

*Straight form available.  
See page 6.*

## HOW TO ORDER - PLEASE SPECIFY THE FOLLOWING:

MODEL #	STEM LENGTH	RANGE
141	GS = 2" stem KS = 4" stem	2 digit code from table



## STANDARD POCKET TYPES

FILL	RANGE	DIVS.	CATALOG NUMBERS		
			COMPLETE UNIT		
			POCKET CASE	ARMOR CASE	DUPLEX CASE
RED LIQUID	-30 to 120°F	2°	5150	5151	5152
	0 to 120°F	2°	5156	5157	5158
	0 to 220°F	2°	5159	5160	5161
	-30 to 50°C	1°	5253	5254	5255
	-10 to 110°C	1°	5262	5263	5264
	0 to 220°F and -15 to 105°C	2° 1°	5359	-	-

## POCKET THERMOMETERS

5 1/2" in length, calibrated for total immersion, round white back glass with red liquid. Available with standard pocket case, open faced armor case (protects against breakage) or combination duplex case. All cases are nickel plated brass and have pocket clip.

## LABORATORY GRADE THERMOMETERS

For laboratory, industrial, or general testing. Ring top standard. Also available in nickel-plated armor.

## RED ORGANIC LIQUID FILLED

TOTAL IMMERSION TYPES									
RANGE	DIVS.	LENGTH	CATALOG NUMBERS		RANGE	DIVS.	LENGTH	CATALOG NUMBERS	
			RING TOP	COMPLETE IN ARMOR CASE				RING TOP	COMPLETE IN ARMOR CASE
-100 to 100°F	1°	12"	2138S	-	-100 to 50°C	1°	12"	2239S	-
-30 to 120°F	1°	12"	3100S	3100SA	-20 to 110°C	1°	12"	3202S	3202SA
0 to 220°F	2°	12"	3102S	3102SA	-20 to 150°C	1°	12"	3204S	3204SA
0 to 300°F	2°	12"	3104S	3104SA					



▲  
CAT. NO.  
3102SA / 3100S



*For mercury free ASTM thermometers, please contact factory.*

**NO. 317S**

**POCKET SLING PSYCHROMETER**

Two 5 1/2" red liquid filled lens front thermometers attached to metal back with handle for whirling. Handle folds out of way when not in use. Supplied with humidity table, wick, and pocket case. Range: 20 to 110°F in 1° divs.

**NO. 317CS**

**CELSIUS POCKET SLING  
PSYCHROMETER**

Same as 317S except range - 5/45°C in 1° divs.

**REPLACEMENT THERMOMETERS**

**NO. 317RS  
NO. 317RCS**

Tube only for 317S psychrometer.  
Tube only for 317CS psychrometer.

**NO. 315 -1S**

**SLING PSYCHROMETER WEATHER  
BUREAU TYPE**

Two 9 1/2" red liquid filled thermometers mounted on stainless steel back, with swivel type handle. Furnished with wick and humidity tables. Range: -20/120°F

**NO. 315 -1CS**

**CELSIUS POCKET SLING  
PSYCHROMETER WEATHER  
BUREAU TYPE**

Same as 315-1S except range - 30/50°C.

**REPLACEMENT THERMOMETERS**

**NO. 315R-1S  
NO. 315R-1CS**

Tube only for 315-1S psychrometer.  
Tube only for 315-1CS psychrometer.

**WICKS .....NO. 317W**

Package of 36 extra wicks only for Cat. No. 315 psychrometers or Cat. No. 317 psychrometers.

**POCKET PSYCHROMETER**

**SLIDE RULE .....NO. 318**

Quickly converts wet and dry bulb temperatures into percent of relative humidity. Durable plastic, approximately 6 3/4" x 7/8".

**HUMIDITY TABLE .....NO. 318C**

Plastic coated 10" x 12" psychrometric chart.

**SCOOPMASTER TANK THERMOMETERS**

To API and ASTM requirements. 12" length lens front blue liquid tube in 14" black plastic chemical resistant case with 120ml cup.

CATALOG NO. COMPLETE IN CASE	ASTM TUBE NO.	RANGE (APPROX.)	DIV.	CATALOG NO. REFILL TUBE ONLY
272-1P	58F	MINUS 30 TO 120°F	1°	272R1P
272-2P	97F	0 TO 120°F	1°	272R2P
272-3P	59F	0 TO 180°F	1°	272R3P
272-5P	-	0 TO 230°F	1°	272R5P
272C1P	-	MINUS 7 TO 105°C	1°	272RC1P
272C2P	58C	MINUS 34 TO 49°C	1/2°	272RC2P
272C3P	59C	MINUS 18 TO 82°C	1/2°	272RC3P

*Case only for Scoopmaster Tank Thermometer Specify Cat. No. 272 Case*

**DUAL SCALE INDOOR WALL  
THERMOMETER .....NO. 206FC**

Range 20/120°F and - 12/50°C (approximate). Permits easy reading at normal room temperatures. Red spirit filled tube with matched anodized aluminum scale. Mounted on 8 1/2" wood back.

11